

UHD 4K Video Conferencing Endpoint for Small Room

Yealink MeetingEye 400 is the smart video conferencing endpoint, designed for small meeting rooms. Supporting dual 4K video conference, 20MP camera, and 133° super-wide-angle lens, MeetingEye 400 delivers outstanding video quality. Its AI technologies and built-in auto privacy shutter allow users to experience a smarter and safer video conference. With 8 MEMS microphone arrays and Yealink new audio algorithms, MeetingEye 400 brings excellent audio experience in small rooms even in full-duplex mode and ensures that everyone can be heard as well as seen. Moreover, MeetingEye 400 combines codec, camera, microphone, speaker, Wi-Fi, and Bluetooth, which provides you a solution of simple deployment. MeetingEye 400 is ideal for small rooms as it helps you experience simple deployment and also produces more intelligence and usability.



20 MP Camera



Wide-angle Lens



Auto Privacy Shutter



Microphone Array



Built-in Speaker



Dual 4K conference



Auto Framing



Speaker Tracking



Wireless Presentation



Wi-Fi & Bluetooth



Key Features and Benefits

20 MP | SONY 1-inch CMOS | Super-Wide 133° Field of View

20 MP camera with SONY 1-inch CMOS brings UHD 4K video conference with delicate details. With super-wide 133° field of view, everyone in the conference can be seen without adjusting the camera. Moreover, the image brightness can be automatically optimized even in a dim or backlight environment, ensuring the participant faces can be seen clearly.

Sound Localization for Full-Duplex Mode

8 MEMS microphone arrays make MeetingEye 400 have stronger ability of noise proof and dereverberation. The new upgraded audio algorithm, together with the technology of post-processing on acoustic echo cancellation and the dereverberation algorithm, brings high quality full-duplex call and realizes more precise voice pickup.

Smart Video Conferencing with AI Technology

Featuring AI technology, including Auto Framing and Speaker Tracking, MeetingEye 400 can not only automatically adjust the image size according to the number and the position of the participants, but also automatically zoom in the speaker without adjusting the camera, making the participants more focus on the conference.

Secure Conference with Auto Camera Privacy Shutter

The camera privacy shutter automatically opens when the video conference starts and remains closed when not having video conferences. The lens status is visible at a glance, eliminating "lens anxiety" in daily conferences.

- 20MP camera with SONY 1-inch CMOS
- 133° super-wide-angle lens
- Auto privacy shutter
- Ultra HD 4K video call
- H.265/HEVC video codec
- Built-in 8 MEMS microphone arrays
- Built-in speaker
- Built-in dual-band Wi-Fi (2.4GHz/5GHz) and Bluetooth
- Intelligence Feature and Speaker Tracking
- Wireless and wired presentation
- Whiteboard and annotation on content sharing

Package includes:

- MeetingEye 400 Codec (integrate codec/camera/microphone/speaker)
- VCR20 Remote Control
- Wall Bracket
- Optional
 - Collaboration Touch Panel
 - Wireless Presentation Pod(WPP20)
 - Wireless Microphone
 - VCH51 Sharing Box
 - TV Mount Kit

Operating System

- Based on Android 9.0

Ultra HD 4K Camera

- 20MP Camera with SONY 1-inch color image sensor
- 115° horizontal field of view
- 80° vertical field of view
- 4x e-PTZ camera
- Auto Privacy Shutter
- Automatic or manual focus, exposure and white balance
- Intelligence Feature
 - Auto Framing
 - Speaker Tracking

Microphone

- Built-in 8 MEMS Microphone Array
- Wireless Microphone (optional)

Speaker

- Built-in 5W Speaker

Audio Features

- Audio codecs:
 - ARES: 48kHz bandwidth
 - Opus: 8~48kHz bandwidth
 - G.722.1C: 14kHz bandwidth
 - G.722.1: 7kHz bandwidth
 - G.711 (PCMA/PCMU): 3.4kHz bandwidth
 - G.729
- Audio technology:
 - Yealink Noise Proof Technology
 - Beamforming directed voice pickup technology
 - Post-processing on multi-channel acoustic echo cancellation

- Multi-channel dereverberation
- Long-distance full-duplex voice pickup
- Automatic gain control
- CNG/PLC/AJB/De-Rerb

Call Features

- Video quality: up to 4Kp30 people + 4Kp15 content sharing
- Bandwidth Requirements:
 - 4Kp30: 2Mbps or more(H.265)
 - 1080p30: 512Kbps or more (H.265)
 - 720p30: 384Kbps or more (H.265)
- Video/Audio recording and playback
- DND (do not disturb)
- Multi-language support

Standard Communication Protocol

- H.323/SIP
- Dual stream protocol: H.239 (H.323)/BFCP (SIP)
- FECC: H.224/H.281
- H.323 protocol suite: H.245, H.225, H.235, H.241
- Gatekeeper account and SIP account

Video Standard and Network Suitability

- Video codecs: H.265, H.264 High Profile, H.264, H.263, H.263+
- Forward Error Correction (FEC), anti 30% video packet loss and 70% audio packet loss
- Bandwidth dynamic adaptive adjustment
- Shared content and audio preference strategy
- Bandwidth/ protocol/ video&audio self-adaptive

Network and Security Features

- Built-in dual-band wireless network (802.11a/b/g/n/ac)
 - Wireless AP mode
 - Wireless Client mode
- Bluetooth 4.2
- TCP/IP (IPv4 and IPv6), DHCP/Static IP
- SNMP V1/V2
- HTTP/HTTPS Web server
- RS232/HTTP API for control system integration
- SRTP/TLS/H.235/AES 256-bit encryption
- QoS: 802.1p Class of Service(CoS), Diff-serv(DSCP)
- 802.1Q VLAN, 802.1X, LLDP-MED
- Anti-attack
- Network diagnosis: ping, trace route
- Time and date synchronization using SNTP
- Built-in certificate

NAT and Firewall Traversal

- ICE/TURN/STUN
- H.460.18, H.460.19
- NAT (manual/auto mode)
- Yealink Intelligent Firewall Traversal
- OpenVPN

Content Sharing

- HDMI/USB-C (VCH51)
- Wireless Presentation Pod (WPP20)
- Apple AirPlay
- Miracast
- Virtual Whiteboard


Configuration Management

- Yealink Management Cloud Service
- Configuration via web/display/auto-provisioning
- Virtual remote control
- Firmware upgrade
- Export or import configuration
- System log exporting

MeetingEye 400 Codec Connections

- 1 x HDMI output (CEC supported)
- 2 x USB 2.0
- 1 x 10/100/1000M Ethernet port
- 1 x Yealink extension port (RJ-45)
- 1 x Power port
- 1 x Security lock slot
- 1 x Reset slot

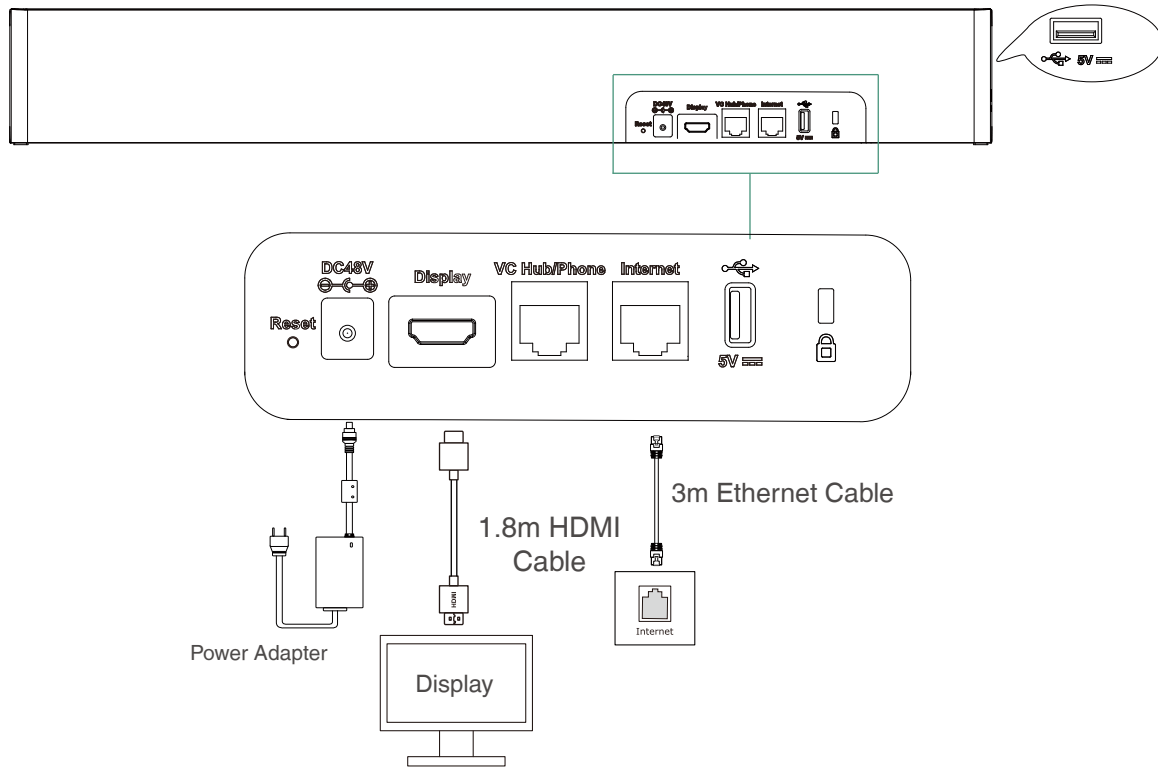
Other Physical Features

- External Yealink Power Adapter: AC 100~240V input and DC 48V/0.7A Output
- Storage: built-in 16 GB
- USB Output: 5V  0.5A
- Power consumption (PSU): Idle<8.8W; Normal operating: 9.2W; MAX: 10.2W
- Dimension (W.D.H): 600 mm x 68 mm x 82 mm
- Operating humidity: 10~95%
- Operating temperature: 0~40°C
- Storage temperature: -30~70°C

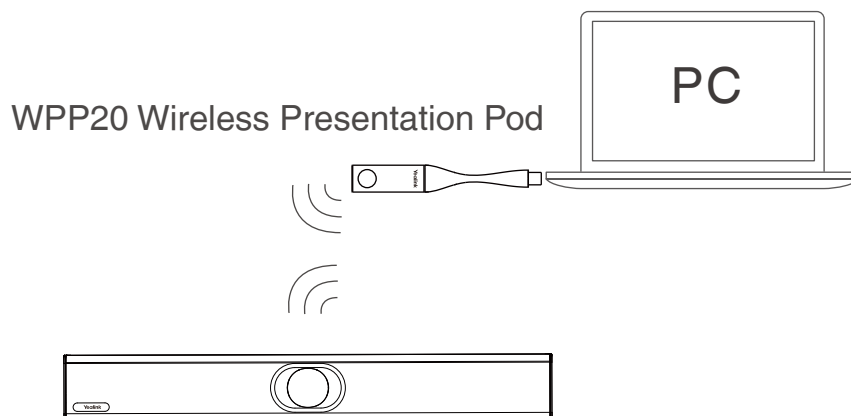
Compliance



Endpoint Connections



Wireless Content Sharing



About Yealink

Yealink is a global leading provider of enterprise communication and collaboration solutions, offering video conferencing service to worldwide enterprises. Focusing on research and development, Yealink also insists on innovation and creation. With the outstanding technical patents of cloud computing, audio, video and image processing technology, Yealink has built up a panoramic collaboration solution of audio and video conferencing by merging its cloud services with a series of endpoints products. As one of the best providers in more than 140 countries and regions including the US, the UK and Australia, Yealink ranks No.1 in the global market share of SIP phone shipments.

Copyright

Copyright © 2020 YEALINK(XIAMEN) NETWORK TECHNOLOGY CO., LTD.

Copyright © 2020 Yealink(Xiamen) Network Technology CO., LTD. All rights reserved. No parts of this publication may be reproduced or transmitted in any form or by any means, electronic or mechanical, photocopying, recording, or otherwise, for any purpose, without the express written permission of Yealink(Xiamen) Network Technology CO., LTD.

Technical Support

Visit Yealink WIKI (<http://support.yealink.com/>) for firmware downloads, product documents, FAQ, and more. For better service, we sincerely recommend you to use Yealink Ticketing system (<https://ticket.yealink.com>) to submit all your technical issues.



YEALINK(XIAMEN) NETWORK TECHNOLOGY CO.,LTD.
Web: www.yealink.com
Addr: No.1 Ling-Xia North Road, High Tech Park,
Huli District, Xiamen, Fujian, P.R. China
Copyright©2020 Yealink Inc. All right reserved.